



Product Overview

As a Red Dot Award winner, smart DC charger C6EU is configurable from 60kW to 200kW using 30kW or 40kW power modules. It features individual configuration options for the operator with flexibility for various authorization methods including POS terminal, RFID reader, App initiation, MAC address, or ISO15118 PnC. Customized exterior and UI are also available for larger order sizes.

Product Features



Advanced Performance:

- Eichrecht compliant
- CE certified
- Smart power allocation system on "first-come-first-serve" basis



Designed for Flexibility:

- Cable management systems for automatic retraction
- Exterior and UI customization for branding purposes



High-end Intelligence:

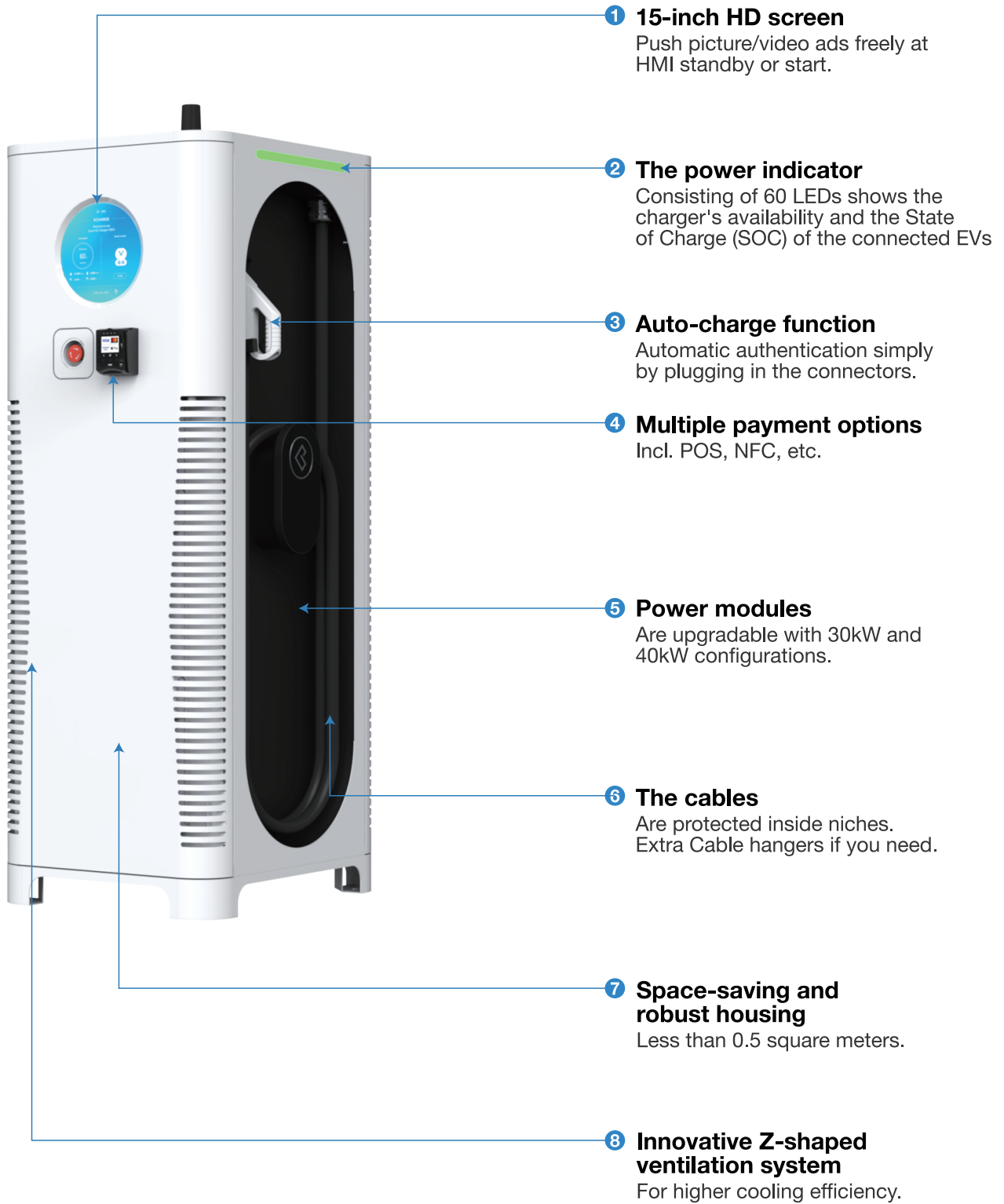
- Dual backend connection via OCPP 1.6/2.0.1
- Load management with or without backend connection
- OTA upgrade of Firmware and Software



All-round Safety:

- High cybersecurity level (TLS 1.2)
- Real-time overheat and overvoltage monitoring, smoke alarm, earthquake and flooding detection

System Overview



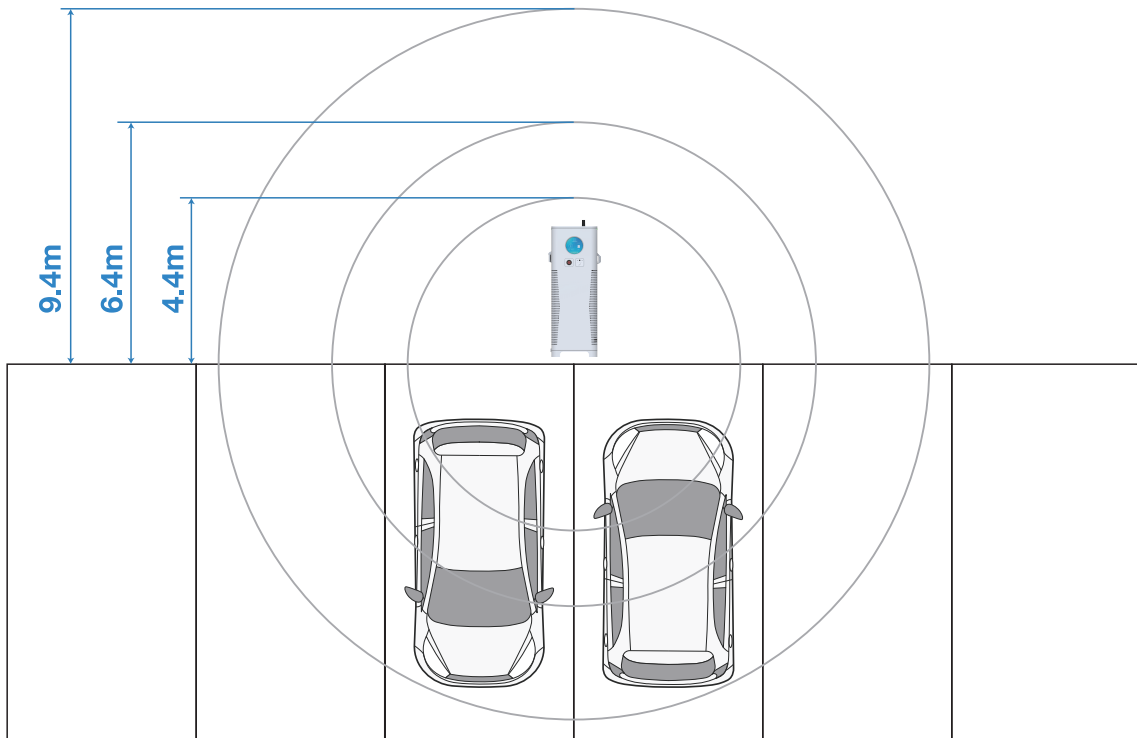
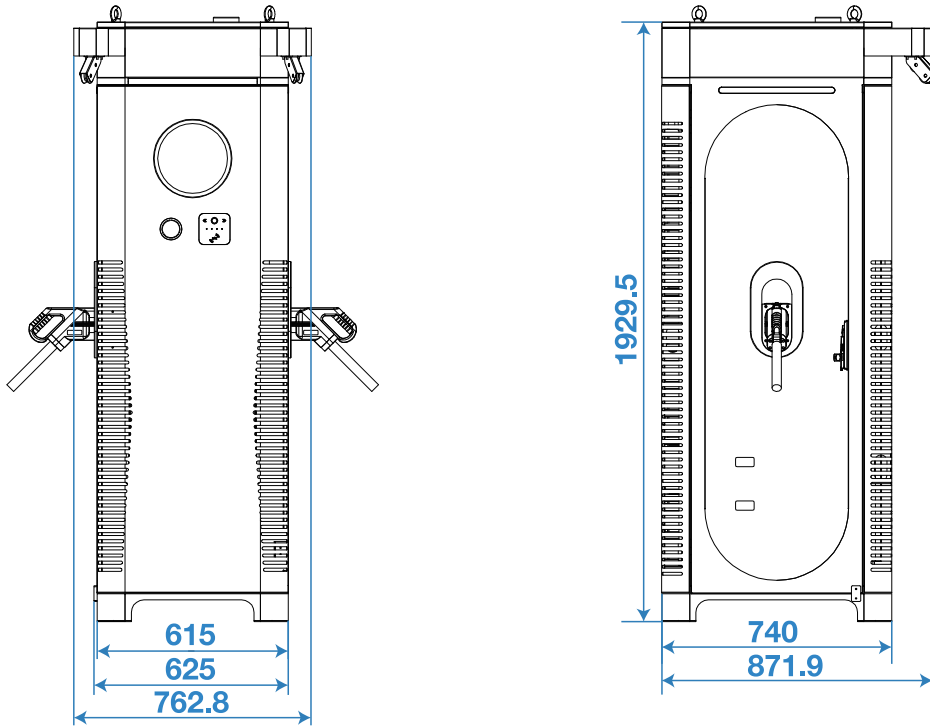
Technical Specification

	Product Model	C6EU
General Features	Dimensions(LxWxH)	615x740x1750mm / 615x872x1930mm (with cable management system)
	Weight	325kg - 395kg (depending on the amount of power modules)
	Connector	Single / Double CCS Combo 2 or CCS Combo 2 + CHAdeMO 2.0
Technical Parameters	Maximum Output Performance	60 to 150kW (in 30kW steps) or 80 to 200kW (in 40kW steps)
	Max. output current Peak value	500A (within 10 mins) / 400A (within 10 mins)
	Max. output current Continuously	300A / 250A
	Input Voltage	3-phase 400V _{AC} ± 10%, 50/60Hz
	Efficiency	96% (at a nominal power output)
	Power Factor	99% (at a nominal power output)
	Total Harmonic Distortion (THD)	<5%
Communication	Communication Protocol	OCPP 1.6 J / S (1.6 Security & 2.0.1 ready) or XCHARGE protocol
	Operation System	Android 4.2
	Network Connection	GPRS / 3G / 4G / LAN
	Authentication Method	RFID / QR code / Remote Command / Password / Payment Terminal (Nayax, Ingenico, Payter)
Environmental Conditions	Operational Temperature Range	-25°C to 55°C (-25°C to 50°C rated, 15% power derating at 55°C) -40°C to 55°C (optional, with additional heat pump)
	Operational Humidity Range	5% to 95% non-condensing
Highlights	Remote Diagnostics	Remote WebUI tool
	LED and Screen	LED indicators & 15-inch HD touch screen
	Branding / Advertising	PNG / JPG / MP4 (via screen display) & Customizable exterior color and stickers
	Power Metering	AC meter with MID certificate / DC meter with MID certificate / DC meter with Eichrecht certificate (optional)
Safety Characteristic	IP & IK Rating	IP54 & IK10
	Residual Current Protection Switch (RCD)	Type A
	Safety Protection	Over/Under voltage, Overload, Short Circuit, Anti-access, Earth leakage, Lightning, Overheat-protection
	Access Protection	Half cylinder lock 30/10
Standards	IEC, ISO, DIN	IEC 61851-1:2011, IEC 61851-23:2014, IEC 61851-24:2014, IEC 62196-3:2014, ISO 15118, DIN 70121-2014, ISO 9001, ISO 14001:2015, ISO 45001:2018
Certification	EEA, German Calibration Law, OCPP 1.6 & OCPP Security	CE, Eichrecht Compliant (DE MTP 22 B 012 M), MOBI.E, be.ENERGISED

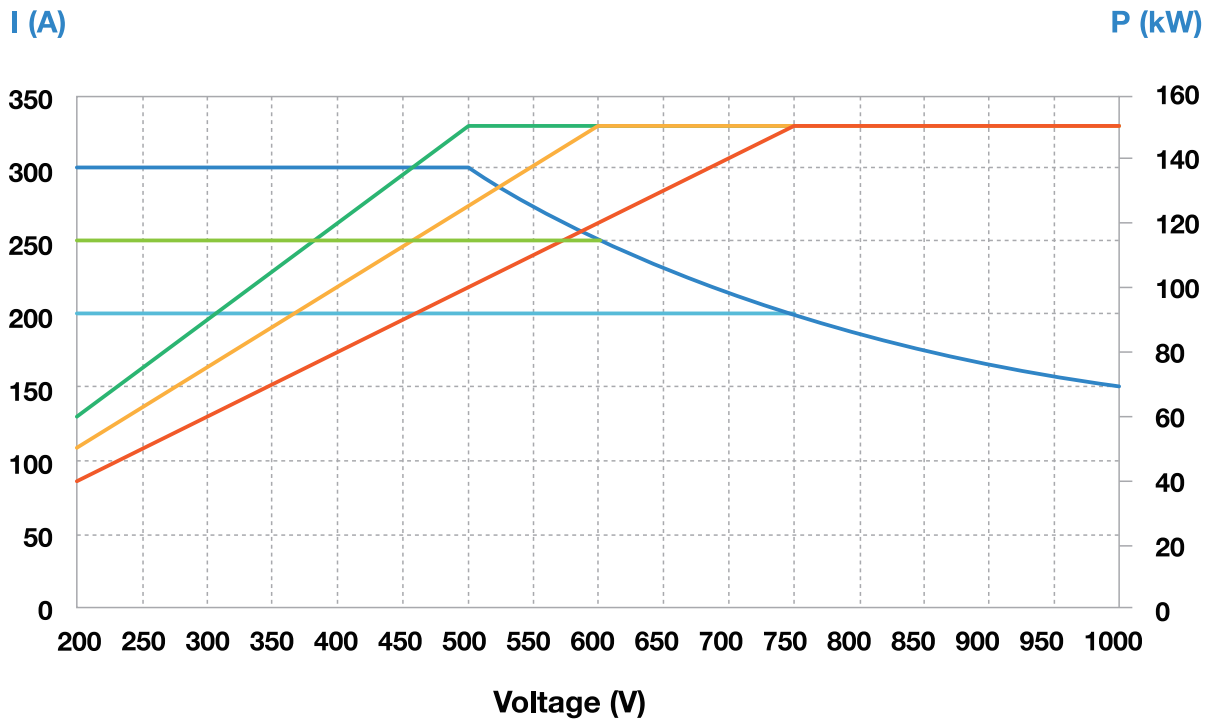
Charging Standard	CCS	CHAdeMO
Maximum Output Power	60kW / 80kW / 90kW / 120kW / 150kW / 160kW / 200kW	60kW
Output Voltage Range	200VDC - 1000VDC	150VDC - 500VDC
Maximum Output Current Continuously	200ADC / 250ADC / 300ADC	125ADC
Connection Standard	IEC 61851-23	CHAdeMO 2.0
Cable Assembly Length	3.2m / 5m / 7m / 10m (with cable management system)	

Mechanical Dimensions

Unit: mm



Output Power Curve



— 200A Charging Current (A)

— 250A Charging Current (A)

— 300A Charging Current (A)

— 200A Charging Power (kW)

— 250A Charging Power (kW)

— 300A Charging Power (kW)



MORE INFORMATION:

XCHARGE Europe GmbH
 Borsteler Bogen 27B, 22453 Hamburg
 eu@xcharge.com | T: +49 40 57 12 88 55
www.xcharge.com/global/en/